

Installation and Homeowners Guide

安装说明及用户手册

Underscore Bathroom Heater S450

科勒浴霸 S450

K-77315T-2-MZ(Aircare)

K-77283T-2-MZ


KOHLER CHINA INVESTMENT CO., LTD NO.158, JIANG CHANG SAN ROAD,
JING'AN DISTRICT, SHANGHAI, PRC POST CODE: 200436
科勒(中国)投资有限公司 上海市静安区江场三路158号 邮编: 200436

BEFORE YOU BEGIN

- Please read these instructions carefully to familiarize yourself with the required tools, materials, and installation sequences. Follow the sections that pertain to your particular installation. This will help you avoid costly mistakes. In addition to proper installation, read all operation and safety instructions.
- All information in these instructions is based upon the latest product information available at the time of publication. Kohler China reserves the right to make changes in product characteristics, packaging, or availability at any time without notice.
- These instructions contain important care, cleaning, and warranty information - **please leave instructions for the consumer.**
- This product complies with GB4706.1-2005, GB4706.23-2007, GB4706.27-2008, GB7000.1-2015, GB7000.202-2008, GB/T 17743-2017 and Q31/0106000060C022-2020.


安装之前


- 请通读本说明书，以便了解所需工具、材料及安装程序。请遵照相关章节进行安装，以避免由于安装不当而导致不必要的损失。除了有关正确的安装方法之外，还务请阅读所有操作及安全说明。
- 本说明书所含一切材料，均以印刷时所有的最新产品为准，科勒中国保留随时更改产品特性、包装或供应情况的权利，恕不另行通知。
- 本说明书也包含了有关护理、清洁及保养等重要资料 - 请交予用户保存。
- 执行标准：GB4706.1-2005, GB4706.23-2007, GB4706.27-2008, GB7000.1-2015, GB7000.202-2008, GB/T 17743-2017, Q31/0106000060C022-2020。


 **WARNING: Risk of electrical shock.** A licensed electrician should make all electrical connections.

 **WARNING: Risk of electrical shock.** Connect only to a circuit protected by a typical two-pole circuit breaker.


 **WARNING: Risk of electrical shock.** Disconnect power before servicing.

 **WARNING:** The wire must be connected and replaced by manufacturers or other qualified professionals.

 **警告：有触电的危险。** 请找合格的电工来进行所有的线路连接。

 **警告：有触电的危险。** 仅能和双极型断路器保护的电路连接。

 **警告：有触电的危险。** 工作之前先切断电源。

 **警告：** 电源线由制造商或其服务代理商或有类似资格的人员来更换和连接。

RECOMMENDED TOOLS AND MATERIALS

- Tape measure
- Level
- Screw driver
- Connection wire
- Wire cutter
- Insulation tape
- Bushing
- Percussion Drill
- Pen Knife
- Wrench

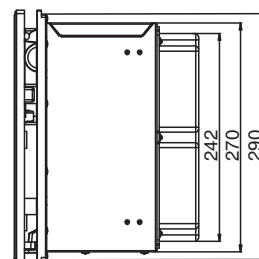
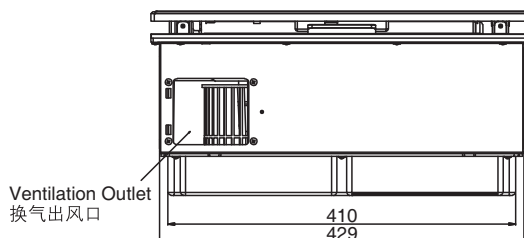
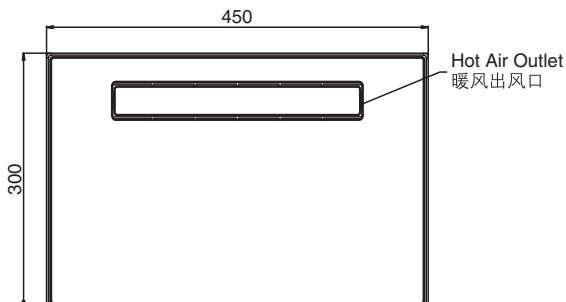
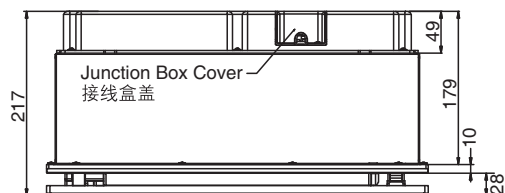
所需工具及材料

- 卷尺
- 水平尺
- 十字螺丝刀
- 连接线
- 剥线器
- 绝缘胶布
- 电工套管
- 扳手
- 冲击钻
- 美工刀

ROUGHING-IN

尺寸图

Reference Value
参考值



Unit: mm
单位: 毫米

Kohler reserves the right to change marked dimensions without prior notice.
科勒公司保留随时变更图中标示尺寸的权利，无需另行通知。

SPECIFICATIONS

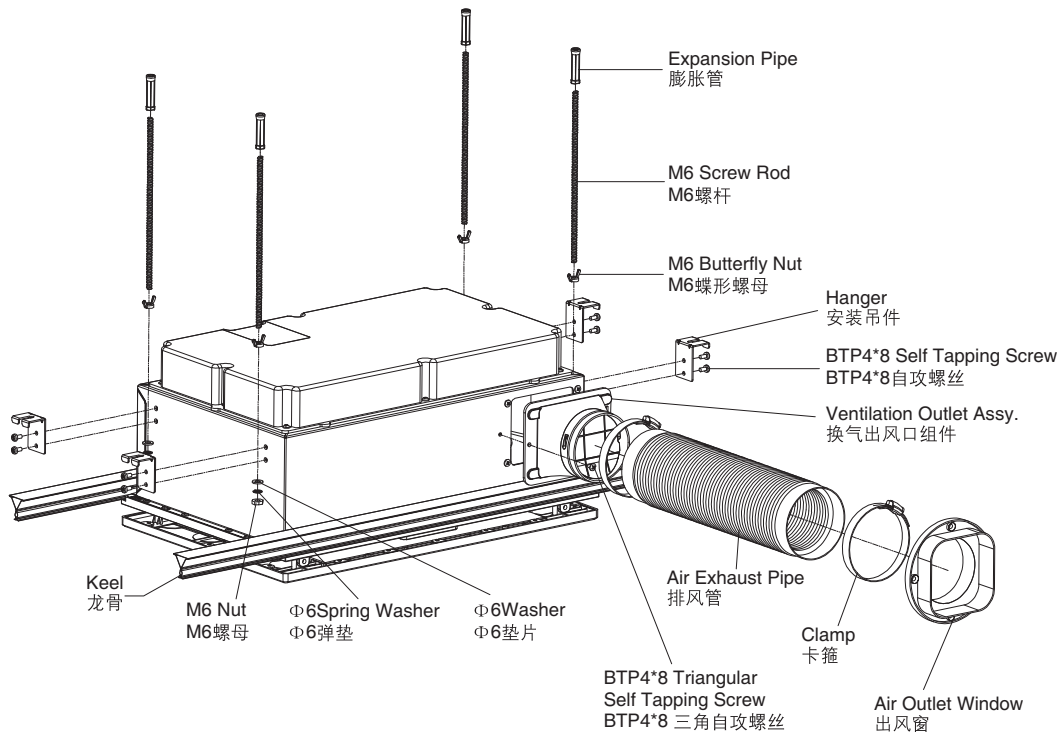
规格

Model	K-77315T-2-MZ/K-77283T-2-MZ
Voltage/Frequency	220V~/50Hz
Rated Input Power	2650W
Heater Power	2638W
Fan Power	30W
Dry Clothing Power	2650W(Hot)/55W(Cool)
Ventilation Power	25W
Air-care Power	30W(Only K-77315T-MZ/K-77315T-2-MZ/K-77315T-X-MZ)
Lighting Power	12W
Ventilation Volume	2.7m ³ /min
Ventilation Noise	39dB
Ingress Protection	IPX2 (Bathroom Heater)
	IPX4 (Remote Control)

型号	K-77315T-2-MZ/K-77283T-2-MZ
电压/频率	220V~/50Hz
额定输入功率	2650W
热风功率	2638W
凉风功率	30W
干燥功率	2650W(热干燥)/55W(凉干燥)
换气功率	25W
空气净化功率	30W(仅K-77315T-MZ/K-77315T-2-MZ/K-77315T-X-MZ)
照明功率	12W
换气风量	2.7m ³ /min
换气噪音	39dB
防护等级	IPX2 (浴霸)
	IPX4 (遥控器)

SIMPLIFIED DIAGRAM OF THE UNIT

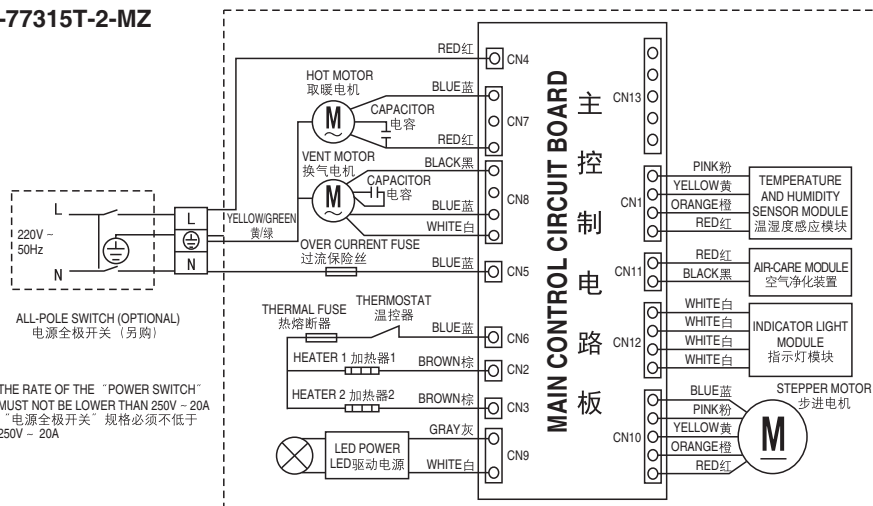
整体简图



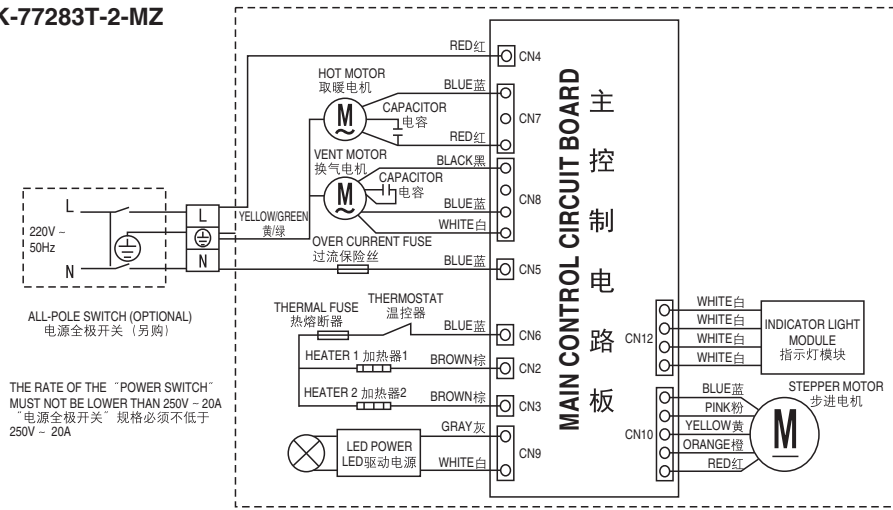
WIRING DIAGRAM

电气原理图

K-77315T-2-MZ



K-77283T-2-MZ

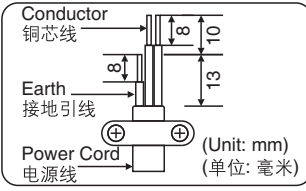


ALL-POLE SWITCH (OPTIONAL)
电源全极开关 (另购)

THE RATE OF THE "POWER SWITCH"
MUST NOT BE LOWER THAN 250V - 20A
"电源全极开关" 规格必须不低于
250V - 20A

WARNING
警告

Make sure the power cord installed firmly, otherwise it may catch fire.
确保电源线安装到位, 否则可能会引起火灾。



- There's no risk of damage to the insulation of power cord.
- Copper cord must be inserted into the pillar terminal hole, and make sure all the cords under the terminal are inserted into the pillar terminal completely.
- Suggest using a power cord which with specification 60227 IEC 53 Model's powercord Specified in GB/T 5023.5 and with cross section of 3X1.5mm².
- 电源线的绝缘胶不能破损。
- 铜芯线必须到达端子台的深处,并确保其在压线端子的下方位置被全部插入接线孔。
- 电源线请选用GB/T 5023.5中所规定的60227 IEC 53型绞合软线,导线的截面积为3X1.5mm²。

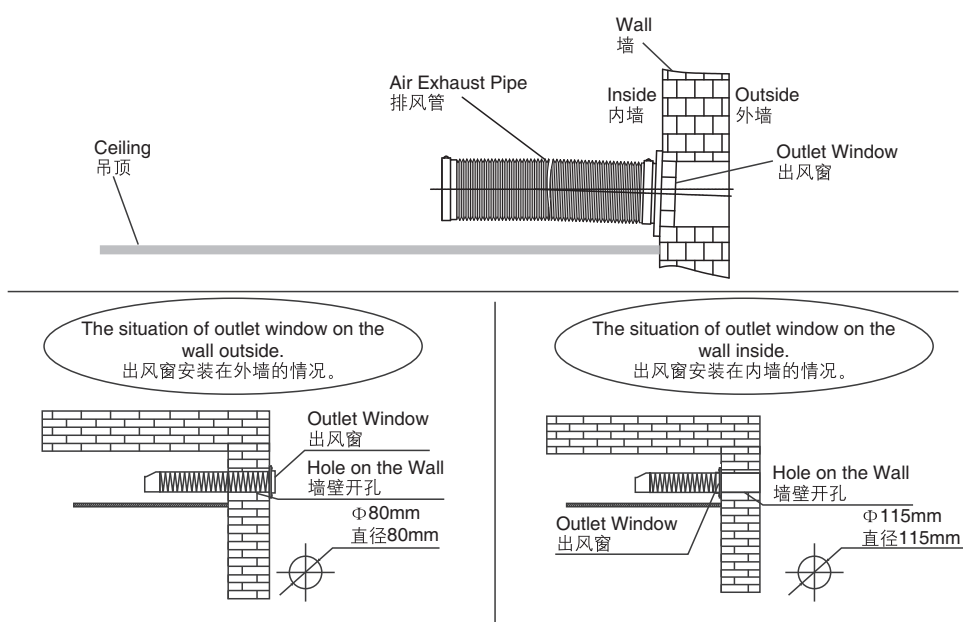
PREPARATIONS BEFORE INSTALLATION 安装前准备

A. Preparation before the installation

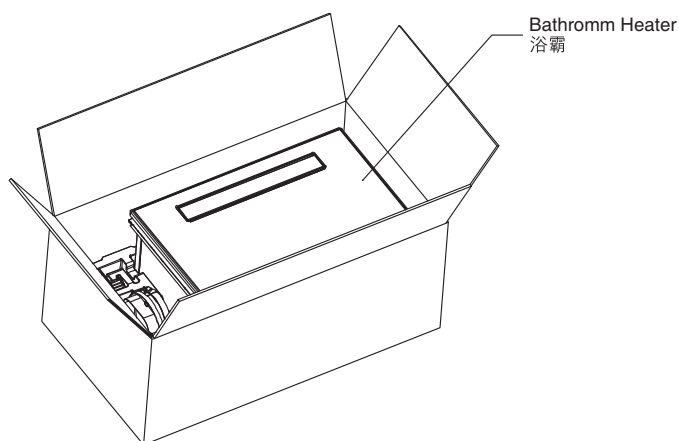
1. Open the hole of outlet window
Make sure that the outlet window's position (it should be lower than the outlet of the bathroom heater to prevent the water come back to the bathroom heater from the outlet window), and open a round hole on the wall.
2. Outlet window installation
Fix the air exhaust pipe to the outlet window on the wall with the clamp as the preparation of bathroom heater installation. Seal the pipe and the outlet window with foaming agent.

A. 安装前的准备工作

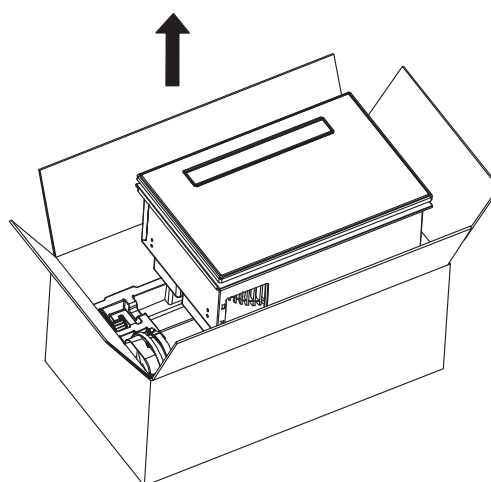
1. 开通风孔
确定墙壁上通风口的位置(应在吊顶上方略低于换气的出风口, 以防止通风管内结露水倒流入主机), 在该位置开一个圆孔。
2. 安装通风窗接头
将排风管一端连接到外墙的出风窗上, 用卡箍锁紧, 并用发泡剂填封。另一端延伸到浴霸将要安装的位置。



B. Take out the bathroom from package.

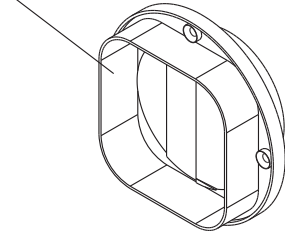


B. 从包装箱中取出产品。

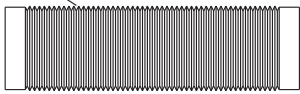


C. Packing List

1285547
Φ80 Air Outlet Window
Φ80 出风窗

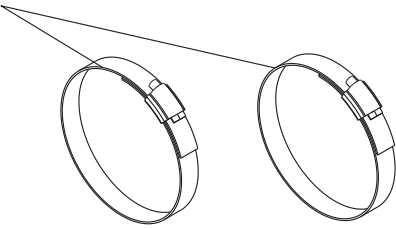


1285548
Φ80 Air Exhaust Pipe
Φ80 排风管



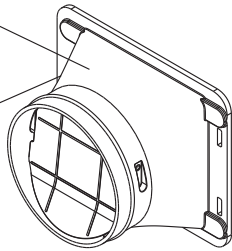
Note: Initial Length: 275mm
Stretch Length: 1300mm
注: 原始长度: 275mm
拉伸长度: 1300mm

1285549
Clamp
卡箍*2

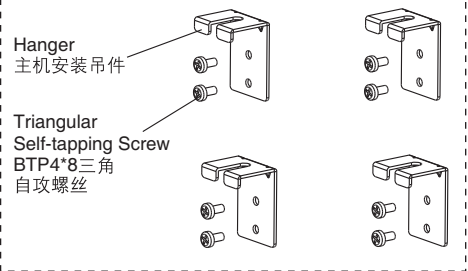


1285550
Ventilation Outlet Assy.
换气出风口组件

BTP4*8 Triangular
Self Tapping Screw
BTP4*8 三角自攻螺丝

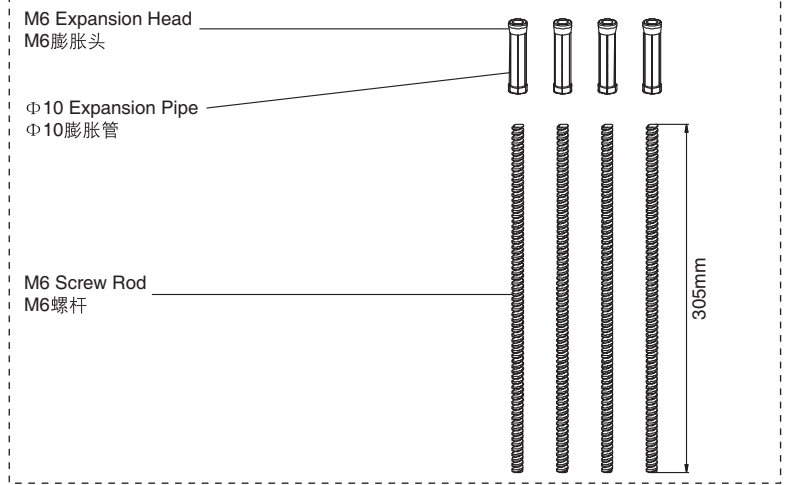


1285551
Heater Accessories Package
取暖器配件包

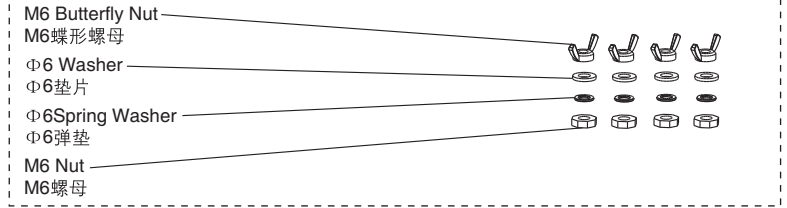


C. 包装明细表

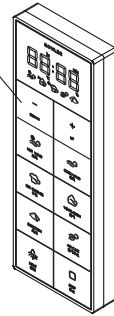
1367441
Fixed Column Assy.
固定柱组件



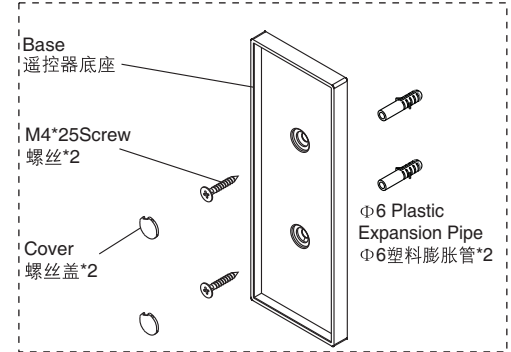
1285553
Lock Assy. / 锁紧组件



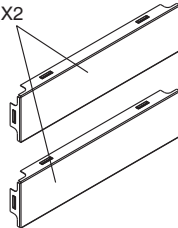
1430805
Remote Control
遥控器
(Only K-77315T-2-MZ)
(仅K-77315T-2-MZ)



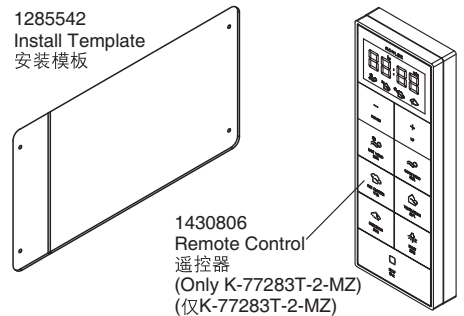
1285556
Remote Control Base Assy.
遥控器底座组件



1285554
Decorated Plate X2
装饰扣板X2



1285542
Install Template
安装模板



1430806
Remote Control
遥控器
(Only K-77283T-2-MZ)
(仅K-77283T-2-MZ)

INSTALLATION

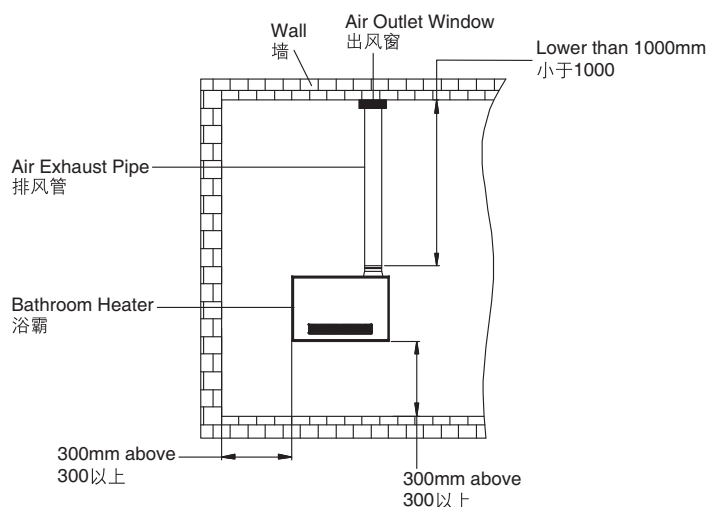
安装

Caution before installation:

- The installed product must be 200mm or above away from curtains or other combustible materials.
- The distance between the ceiling where the product is mounted and the roof shall be 200mm or above.
- Ensure that the gap between the product edge and the wall is 300mm or above.
- The power cord to the product shall have enough length for the installation.
- The distance between the product and the air outlet window shall be 1000mm or lower.
- Cut the screw rod(M6) to suit the distance between the ceiling and the roof.
- The product must be installed at least 1800mm above ground.

安装前确认事项:

- 离窗帘和其它易燃材料距离200mm以上。
- 用于安装本品的吊顶离房屋顶部的距离在200mm以上。
- 产品安装边缘至墙壁的距离在300mm以上。
- 电源线请预留足够长度，以便于安装。
- 排风管距离内墙面小于1000mm。
- 依据吊顶高度，裁剪合适长度的安装螺杆(M6)。
- 产品应安装离地面至少1800mm以上。

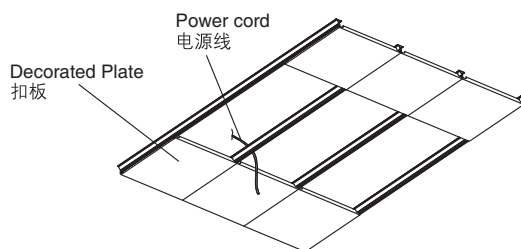


1. Connecting the power cord

(1) Pass the power cord through the ceiling.

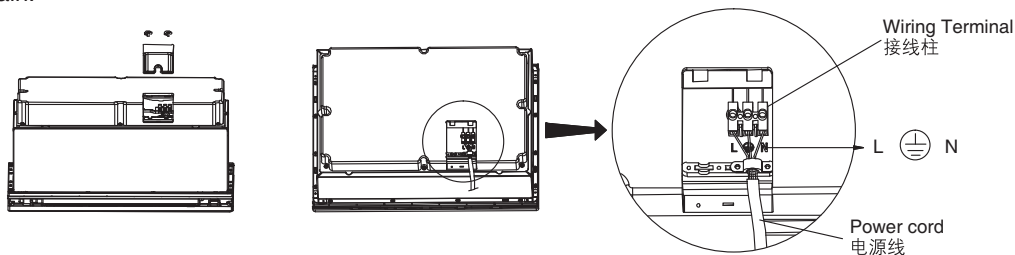
1. 电源线的连接

(1) 将电源线穿过天花板。



2. Fix the power cord to the bathroom heater
- (1) Remove the screw on the wiring cover plate.
 - (2) Open the wiring cover plate.
 - (3) Lift the terminal protection cover.
 - (4) Loosen the screw fixing the power cord clip.
 - (5) Loosen the screw on the wiring terminal, insert the power cord (not supplied) connected to the indoor fixed line into the wiring terminal, tighten the wiring terminal screw.
 - (6) Fix the power cord with power cord clips. (The power cord clip must pin the insulation sheath of power cord.)
 - (7) Use the screw removed in step (3) to fix the wiring cover plate again.

2. 将电源线固定到主机上
- (1) 取下接线盖板上的螺丝。
 - (2) 打开接线盖板。
 - (3) 掀起端子保护盖。
 - (4) 将固定电源线线夹的螺丝松脱。
 - (5) 松开接线柱上的螺丝，将接入室内固定线路的电源线(用户自购)插入接线柱，拧紧接线柱螺丝。
 - (6) 用电源线线夹将电源固定。(电源线线夹必须压住电源绝缘护套)
 - (7) 用步骤(3)拆下的螺丝，将接线盖板重新固定。

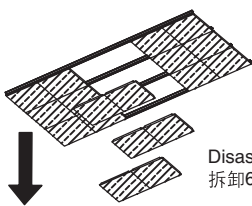


3. Installing the Main Body Method 1 integrated ceiling. integrated ceiling should be 300*300, 300*450, 300*600

3. 机体的安装 方法一 浴室吊顶为集成吊顶 集成吊顶规格300*300、300*450、300*600:

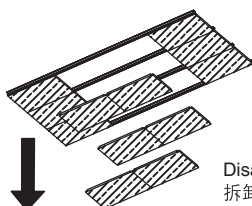
- (1) Disassembly the decorated plate around the position of the product installation.

- (1) 在预装位置，拆下邻近的几块扣板，大小应满足产品安装操作的空间要求。(拆卸数量可参照下图)



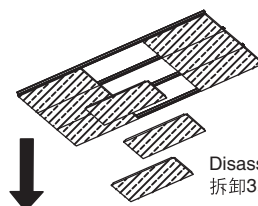
Disassembly 6 pieces
拆卸6块扣板

300mm*300mm integrated ceiling
300mm*300mm集成吊顶



Disassembly 6 pieces
拆卸6块扣板

300mm*450mm integrated ceiling
300mm*450mm集成吊顶

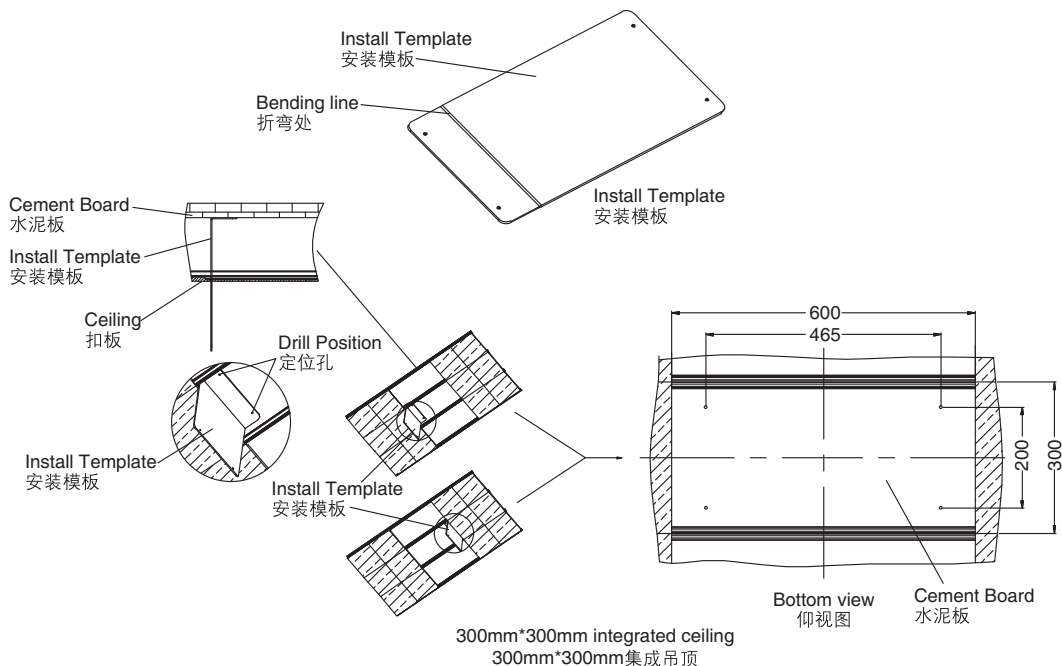


Disassembly 3 pieces
拆卸3块扣板

300mm*600mm integrated ceiling
300mm*600mm集成吊顶

- (2) Use the install template as the diagram to insert it into the ceiling to mark the position of the drill.

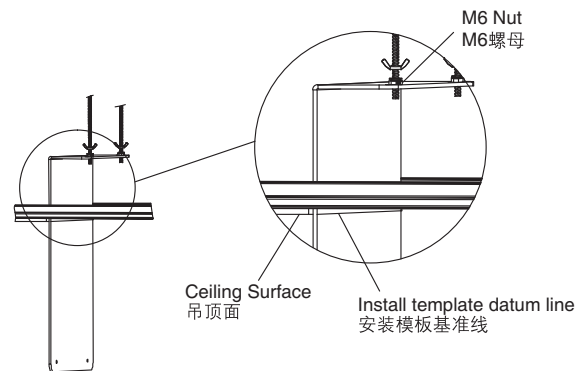
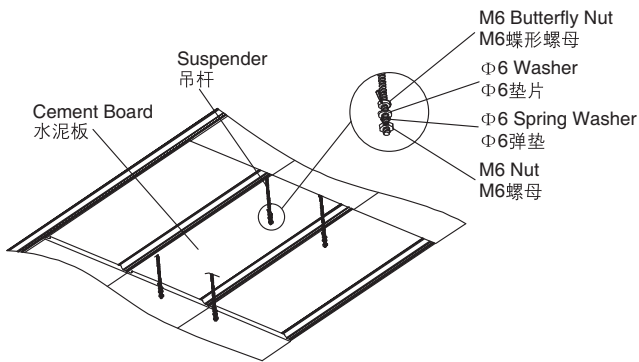
- (2) 拿出安装模板在安装模板折线痕处，将纸板折至90度。紧靠两边的扣板，将安装模板上推至紧贴水泥板标注吊杆固定的位置。



300mm*300mm integrated ceiling
300mm*300mm集成吊顶

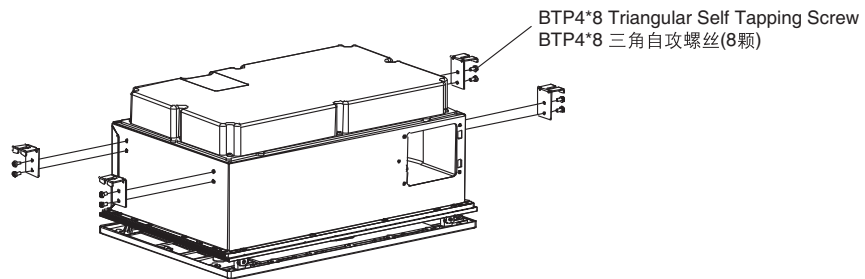
(3) Fix the suspender on the right position of the cement board, use the install template to adjust the M6 nut on the suspender.

(3) 按照标注的吊杆固定的位置，将吊杆固定于水泥板上。将安装模板上的基准线与吊顶平面对齐，调整吊杆上M6螺母的位置。



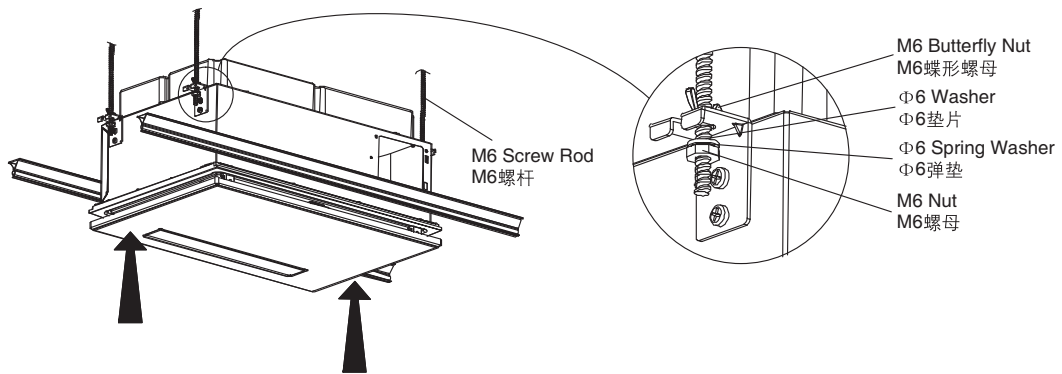
(4) Fix the suspension bracket on the suspender by 8 BTP4*8 screw.

(4) 用8颗BTP4*8自攻螺丝，将主机安装吊件固定于机体。



(5) Fix the product on the M6 suspender by the suspension bracket.

(5) 将主机安装吊件挂入固定柱组件的M6螺杆中。

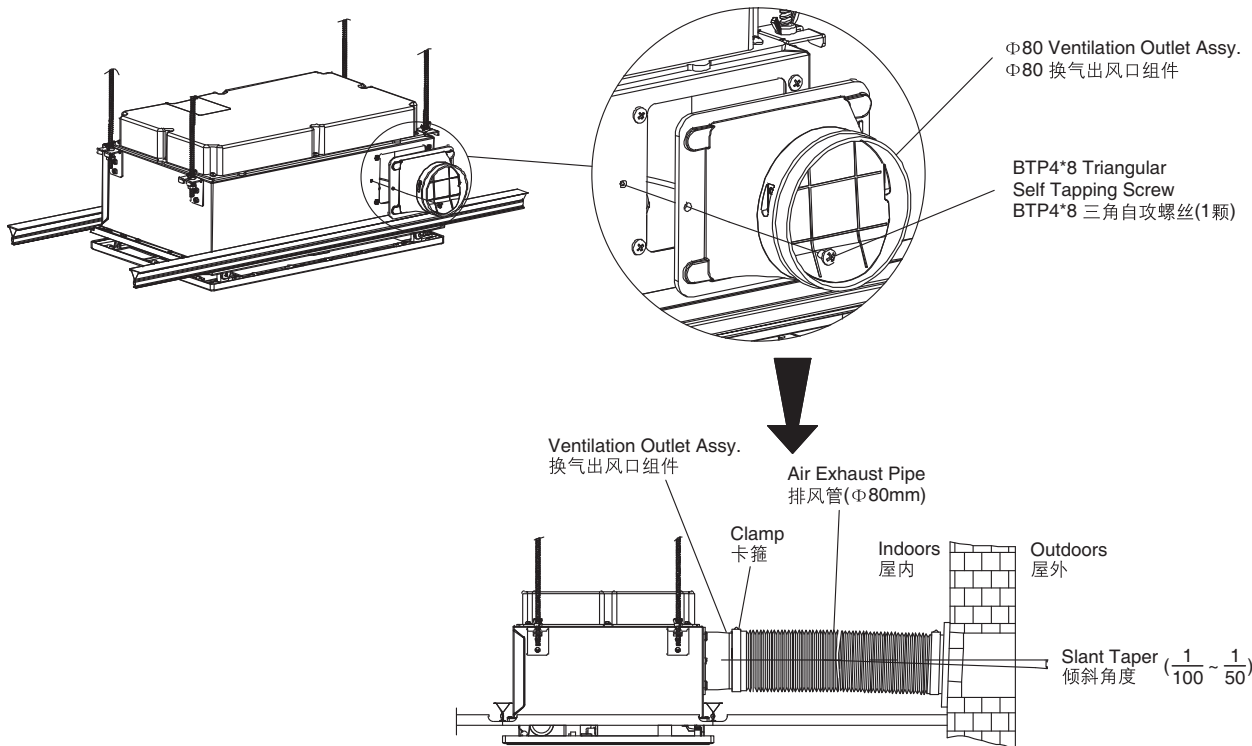


(6) Install the air exhaust pipe

- 1) Fix the air exhaust pipe on the ventilation outlet assy. by the clamp. The pipeline connected to outside of the room must be slanted to prevent rain or condensed water from flowing backwards.

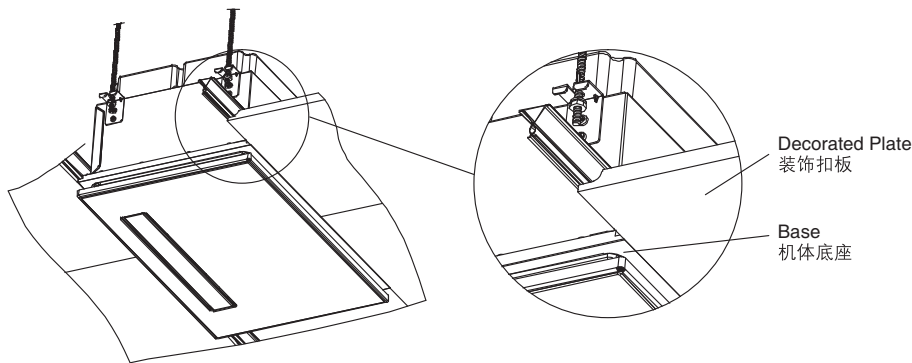
(6) 管道连接

- 1) 将排风管装在换气出风口组件上，然后用卡箍扎紧，通往屋外的排风管必须保持倾斜，防止雨水或露水倒流。



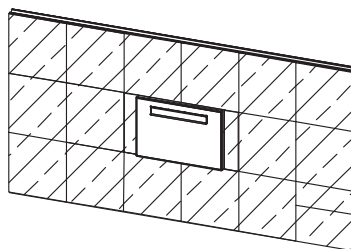
- (7) Install the decorated plate and adjust the nut on the suspender to keep them on the same horizontal surface. Lock the nut after the adjustment.

- (7) 装回邻边拆下的扣板，并调整吊杆上的M6螺母及M6碟形螺母位置，使机体底座与扣板平齐，然后锁紧蝶形螺母。



- (8) Install the remaining decorated plate (finish the product installation)

- (8) 装回扣板(安装完毕)



300mm*300mm integrated ceiling
300mm*300mm集成吊顶

4. Installing the Main Body Method 2 Ceiling mounting has not been installed.

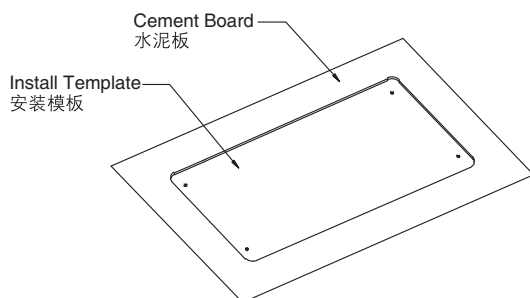
4. 机体的安装 方法二 未装天花板吊顶

(1) Positioning and installation of the suspenders

(1) 吊杆的定位和安装。

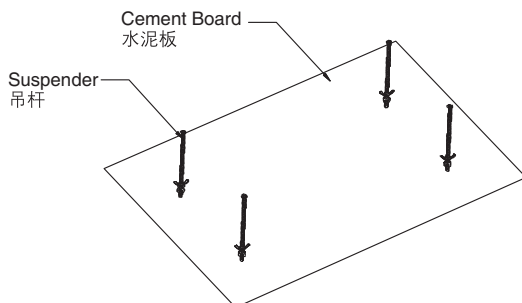
1) Paste the install template attached along with the product on the position where the main body is intended to install.

1) 将产品自带的安装模板，在机体预定安装的位置标注吊杆固定的位置。



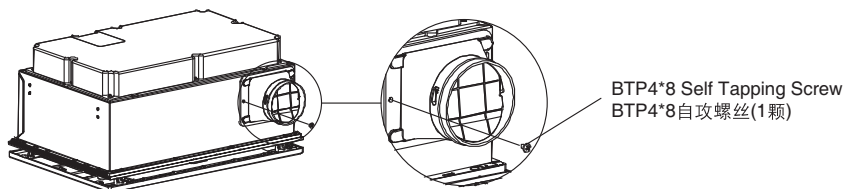
2) Fix the suspender to the cement board according to the fixing position of the suspender as shown by the install template.

2) 按照标注的吊杆固定的位置，将吊杆固定于水泥板上。



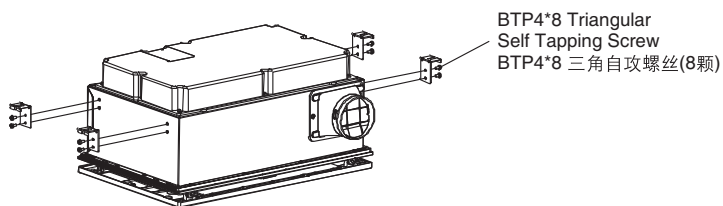
(2) Fix the ventilation outlet assy. to the main body using the BTP4*8 self-tapping screw.

(2) 用1颗BTP4*8自攻螺丝将换气出风口固定于机体。



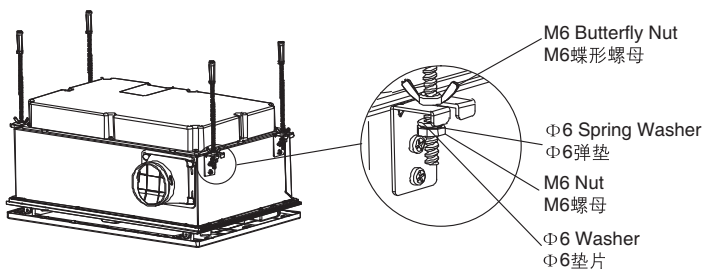
(3) Fix the suspension bracket to the main body using the 8 BTP4*8 self-tapping screws.

(3) 用8颗BTP4*8自攻螺丝，将主机安装吊件固定于机体。



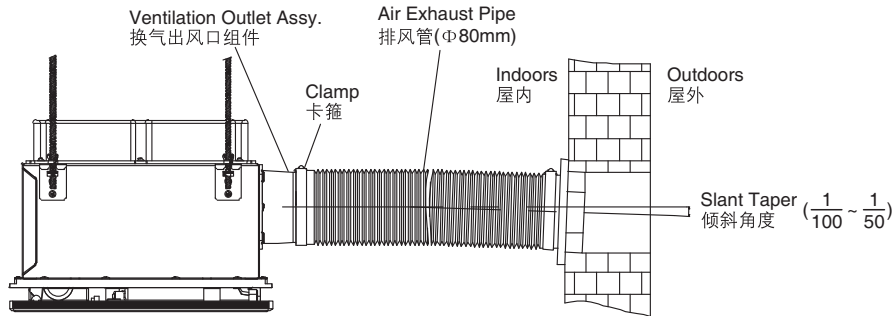
(4) Fix the product on the M6 suspender by the suspension bracket. Lock the nut after the installation.

(4) 将机体固定于吊杆，将螺丝拧紧锁死。



- (5) Install the air exhaust pipe
 1) Fix the air exhaust pipe on the ventilation outlet assy. by the clamp. The pipeline connected to outside of the room must be slanted to prevent rain or condensed water from flowing backwards.

- (5) 管道连接
 1) 将排风管装在换气出风口组件上，然后用卡箍扎紧，通往屋外的排风管必须保持倾斜，防止雨水或露水倒流；



NOTE: When the ceiling is unable to dismantle, please set a square inspection hole of at least 450mm.

注意：吊装且天花板无法拆下时，请设置一个边长450mm以上的方形检修口。

INSTALLATION OF REMOTE CONTROLLER HOLDER

安装遥控器支架

NOTE: If the wall for installation is made of special material (such as wood board, density board and etc.), suitable fixing methods shall be adopted.

注意：如果安装墙面是特定材料（比如木板、密制板等）时，使用合适的固定方法。

NOTE: The place to install the remote controller shall not be easily splashed by water. It mustn't be accessible by people taking a bath or shower.

注意：遥控器的安装位置应该是不易被水淋到的地方。不能被浴缸内或在淋浴区的人触及到。

Choose a mounting location for the remote holder.

选择一个合适地方安装遥控器支架。

Drilling two holes with depth larger than 45mm on the wall by drill with a diameter of 6mm in accordance with the position of screw holes on the remote control holder. Installing the expansion tube into the holes.

根据遥控器支架螺钉孔的位置，用直径6mm的钻头在墙上钻两个深度大于45mm的孔。在孔中装入膨胀管。

Placing the installation holder on the fixing hole.

将安装支架在放置固定孔上。

Fixing the holder with screws and install it.

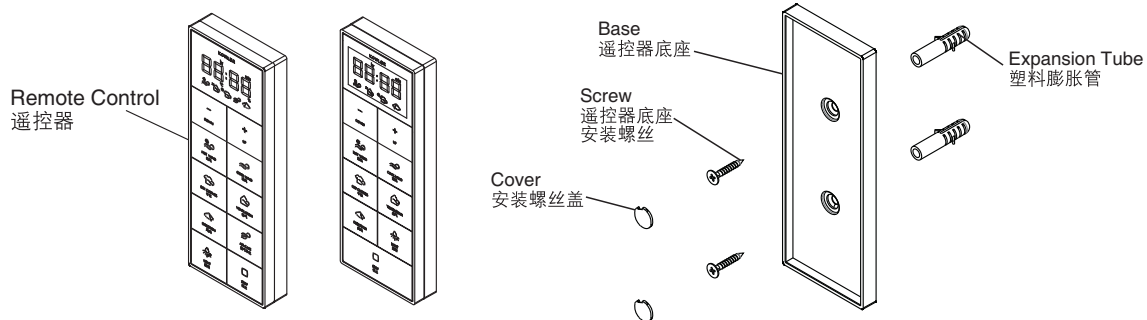
用螺钉固定安装支架。

Installing the screw covers on the screws.

把螺钉盖装在螺钉上。

Placing the remote controller on the holder.

把遥控器放在支架上。

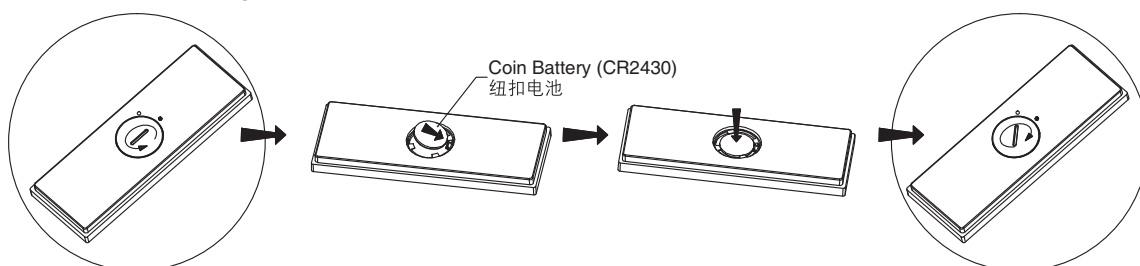


INSTALLATION OF COIN BATTERY

遥控器纽扣电池的安裝

Please follow the installation diagram.

按图示指导进行安装。



A. Pairing

- Connect to the power source, press the "HEATER" and "FAN" together within 3 minutes to make the pairing. "Beep, Beep, Beep" will be heard and the LED lamp will be turned on if the pairing successfully.

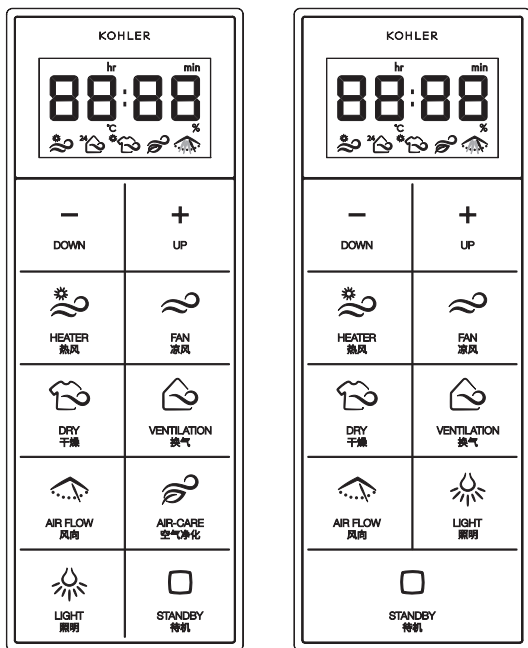
A. 遥控器配对

- 通电3分钟内, 请同时按压“热风”和“凉风”, 浴霸发出“哔哔哔”三声, 并且照明LED灯亮起, 遥控器完成配对。



Note: The bathroom heater mustn't be placed directly below the socket.
注意: 浴霸不得直接置于电源插座下面。

B. Button Function



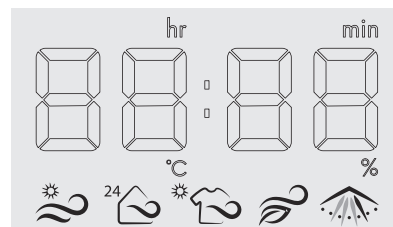
B. 按键功能

- DOWN : Timer down
减号: 减少设定时间。
- + UP : Timer up
加号: 增加设定时间。
- HEATER : Turn on the heater mode
热风: 开启“热风”模式。
- FAN : Turn on the fan mode
凉风: 开启“凉风”模式。
- DRY : Turn on the hot /cool dry clothes mode
干燥: 开启“干燥”模式, 切换“热干燥”或者“凉干燥”, 默认为上一次的操作。(HOT DRY: hot air + ventilation; COOL DRY: cool air + ventilation.)
(热干燥: 热风+换气; 凉干燥: 凉风+换气。)
- VENTILATION : Turn on the ventilation/long time vent mode
换气: 开启“换气”模式, 切换“换气”或者“24小时换气”, 默认为上一次的操作。
- AIR FLOW : Set the air flow swing or fixed
风向: 设定摆风或者固定风向, 默认为自动摆风。
- AIR-CARE : Turn on the air-care mode
空气净化: 开启空气净化模式。
- LIGHT : Lighting on and off/chan the light color (The product uses LED lighting with lighting power of 12W, input current 0.2A and power factor 0.45.)
照明: 开启灯光/切换灯光颜色。(该产品采用LED照明, 照明功率12W, 输入电流0.2A, 功率因数0.45)
- STANDBY : Turn off certain function (except light)
待机: 关闭任意功能(除照明)。

C. Display information

	Hour	小时
	Minute	分钟
	Celsius	摄氏度
	Humidity	湿度
	HEATER	热风
	FAN	凉风
	HOT DRY	热干燥
	COOL DRY	凉干燥
	24H VENTILATION	24小时换气
	VENTILATION	换气
	AIR-CARE	空气净化
	AIR FLOW FIXED	固定风向
	SWING MODE	自动摆风

C. 显示说明



D. Activated mode

- During the standby mode, press any button to the **activated mode**, display the room temperature and humidity. Display will be turned off if no any further action within 10 seconds.
- During the working mode, display the room temperature and humidity. Display will be turned off after the countdown finish.
- Press the function button, the "beep" will be heard.

E. Time setting

- Setting time could be changed during the "HEATER", "FAN", "DRY", "VENTILATION" and "AIR-CARE" mode.
- Setting time will be changed back to the default after each use.
- "HEATER": the default time is 6 hours, minimum time is 10 minutes, and maximum time is 6 hours.
- "FAN": the default time is 6 hours, minimum time is 10 minutes, and maximum time is 6 hours.
- "DRY": the default time is 3 hours, minimum time is 10 minutes, and maximum time is 3 hours.
- "VENTILATION": the default time is 6 hours, minimum time is 10 minutes, and maximum time is 6 hours.
- "AIR-CARE": the default time is 2 hours, minimum time is 10 minutes, and maximum time is 2 hours.
- "24H VENTILATION": the default time is 24 hours, the setting time cannot be changed.

D. 激活模式

- 待机状态下，用户按压任意键会进入**激活模式**，屏幕被激活，显示当前室内温度和湿度，10秒内没有进一步操作，则屏幕熄灭。
- 工作状态下，屏幕保持常亮，显示室内温度和湿度，直至倒计时结束，机器关闭，遥控器屏幕熄灭。
- 按压遥控器任意键，机器会发出“哔”的提示音。

E. 时间设置

- 在“热风”，“凉风”，“干燥”，“换气”，“空气净化”状态下，可以按压“+”和“-”来调节设定时间。
- 每次使用都会恢复到默认时间。
- “热风”：默认时间是6小时，最小时间是10分钟，最大时间是6小时。
- “凉风”：默认时间是6小时，最小时间是10分钟，最大时间是6小时。
- “热/凉干燥”：默认时间是3小时，最小时间是10分钟，最大时间是3小时。
- “换气”：默认时间是6小时，最小时间是10分钟，最大时间是6小时。
- “空气净化”：默认时间是2小时，最小时间是10分钟，最大时间是2小时。
- “24小时换气”：默认时间是24小时，时间不可调。

TROUBLESHOOTING

Problem	Diagnosis	Solution
Bathroom Heater does not work.	A. A power failure occurred.	A. Wait until the power is restored.
	B. The power cord is disconnected.	B. Connect the power cord into the junction box of bathroom heater.
	C. Circuit breaker is in the "Off" position.	C. Turn on the power at the breaker.
The remote controller does not display.	A. The battery has been used up.	A. Please replace the battery.
	B. The polarity of battery was installed inversely.	B. Please install the battery correctly.
	C. No wake-up.	C. Press any key to wake-up.
The remote controller does not work.	A. No pairing with the bathroom heater.	A. Make the pairing.
	B. The remote controller is used in an inappropriate position or angle.	B. Change the using position or angle to make the controller towards the bathroom heater.
	C. Low battery.	C. Change the battery.
Red LED is on.	A. Temperature sensor error.	Call the Customer Service Centre using the information provided on the Compliance Certification.
	B. Humidity sensor error.	
	C. Heating system error.	
Red LED is flash.	A. Dust filter need be clean.	A. Clean the filter or press the "+" for 2 seconds in the Activated mode(Page 13).

简单故障排除

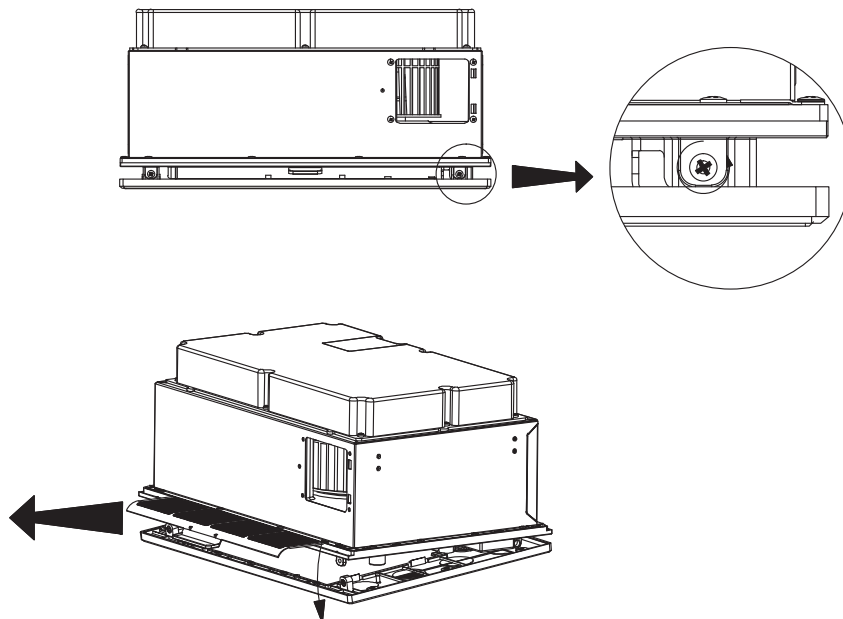
问题	判断分析	解决方法
浴霸不工作。	A. 停电。	A. 等到电力恢复。
	B. 未接上电源线。	B. 将电源线正确连接到浴霸。
	C. 电源断路器是关闭状态。	C. 打开电源断路器。
遥控器无显示。	A. 电池电量耗尽。	A. 更换新电池。
	B. 电池极性装反。	B. 重新安装。
	C. 没有唤醒。	C. 按任意键唤醒。
遥控器无法遥控浴霸。	A. 遥控器没有配对。	A. 请配对遥控器。
	B. 使用遥控器的位置和角度不当。	C. 改变使用位置和角度使遥控器对着浴霸。
	C. 电池电量不足。	C. 更换新电池。
红色灯亮起。	A. 温度传感器故障。	请使用合格证上的信息联系客服中心。
	B. 湿度传感器故障。	
	C. 加热系统故障。	
红灯闪烁。	A. 滤网需要清洁。	A. 清洁滤网，或者在激活模式下（P13页）长按“+”号键2秒。

CARE & CLEAN

1. Turn off power supply before maintenance or cleaning. If Casing or Air Louver are covered with dust, do not splash water onto it. Use only damp sponge or cloth to wipe dirt off.
2. Do not use eradicator, abrasive powder or oil, acid or alkali liquid detergent to clean casing or air louver.
3. Never try to put a small screw-driver or any other object into the holes of air Louver from outside. This might cause damage to the interior parts, and electric shock may occur.
4. Shut off the all-pole switch.
5. Wipe the front panel and the panel base with a soft cloth.
6. Remove the filter from the louver.

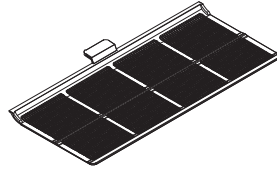
清洁保养

1. 请先关闭电源或拔下插头，然后再用柔软的湿布擦拭清洁表面和出风口栅片，切记绝对不可用水直接冲洗。
2. 禁止使用去污粉、研磨粉及油类、酸性类、碱性类清洁剂清洁表面和出风口栅片。
3. 请勿将螺丝刀或任何细长尖锐物品伸入出风口栅片内，因为这样可能导致内部零件损坏及触电等意外事件。
4. 断开“电源全极开关”。
5. 用软布擦拭前面板及面板底座。
6. 将过滤网从面板组合中拆除。



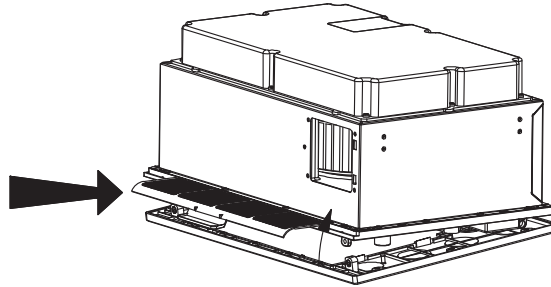
7. Use a vacuum cleaner to remove dust and dirt from the filter.

7. 用吸尘器清除过滤网上的灰尘和污垢。



8. Reinstall the filter assembly.

8. 重新安装过滤网组合。



9. Turn on the all-pole switch.

9. 开启“电源全极开关”。

10. Press the "+" for 2 seconds in the Activated mode(Page 13) to reset the filter cleaning indication.

10. 取消机体接受过滤网清洁提示。在激活模式下 (P13页) 长按“+”号键2秒。机体发出“哗哗”声，红灯闪烁停止。

Note: The filter must be replaced by professionals.

注意: 过滤网需要由专业人员清洁更换。

IMPORTANT CONSUMER INFORMATION

用户须知

1. When AC power unit is connected to 220V AC power supply, corresponding protective measures should be taken.
2. Please confirm no water penetration at the connection area of AC wire, and the connection area is not easy to be affected by damp.
3. The head AC power supply must be protected with appropriate fuse.
4. Please confirm the AC power supply should be shut off before maintaining the products with AC power related.
5. All electrical connection must be compliance with related regulation and codes.
6. All installation staff should be well familiar with installation instruction.

1. 将产品接入220V电源时，应采取相应的防卫措施。
2. 应确保交流导线连接处无水渗入以及不易受潮。
3. 交流电的总电源必须有合适的熔断丝加以保护。
4. 维修交流供电型的产品时，必须首先断开交流电源。
5. 所有电路连接必须符合相关规范和条例要求。
6. 所有参与安装人员都必须熟知安装说明。

Note: Troubleshooting needs to be done by professional of KOHLER CHINA. Users are not suggested to do this without help. Please remember that the checking and repairs done by users themselves could easily cause damage to the machine or cause physical harm to the person.

注意: 本产品需由本公司专业人员维修，用户在没有任何技术协助下修理机器，易导致零件损坏或人身伤害。

Note: All lighting must be replaced by manufacturers or other qualified professionals.

注意: 对非用户替换光源：此灯具内的光源应由制造商或其服务代理商或有类似资格的人员来更换。